

# V1182-0412R Series

## HD 3MP IR Vari-Focal 1/2" Lenses w/DC Auto Iris

**Infinova**<sup>®</sup>  
The Integrator's Manufacturer



- **3.0Mpx**
- **DC auto iris**
- **Able to correct the chromatic aberrations that occur in both visible light and infrared (IR) light, applicable for day/night camera**
- **Aspherical lens to offer you excellent image of high resolution and contrast**
- **Compact structure, easy to install**

Infinova's V1182-0412R series HD 3.0MP IR lenses which feature wide aperture of F1.4 and broad range of 4-12mm are particularly suitable for day/night camera. Able to correct the chromatic aberrations that occur in both visible light and infrared (IR) light, this series lens offers you superb images under all kinds of light conditions.

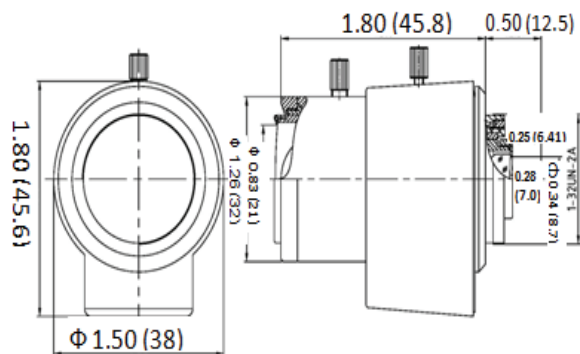
## Technical specifications

Sensor	CCD/CMOS	
Image Size	1/2"	
Focal Length	4-12mm	
Aperture (F/#)	1.4	
Operation	Zoom	Manual
	Focus	Manual
	Iris	Auto (DC drive)
Angle of View (F.O.V.) (D/H/V)	114°~44°/86°~36°/62°~26°	
Back Focal Length	6.97~12.75mm	
Effective Aperture	Front	Ø21mm
	Back	Ø8.7mm
Mount	CS	
Dimensions (Ø×L×W)	1.50"×1.80"×1.80" (38mm×45.8mm×45.6mm)	
M.O.D	0.1m	
Lens Construction	9-7	
<b>Certifications and Approval</b>		
Product Certifications	CE, ISO 9001: 2008	

## Ordering information

V1182-0412R Lens, 3.0 Mega pixels, IR correction, f=4-12mm, F/1.4, DC auto iris, 1/2 inch, CS

## Dimensions



(Unit: inch, in the parentheses is mm)